

# Full HD Weatherproof Dome Network Camera

# Panasonic

## K-EF235L Series K-EF235L01E

### 2 Megapixel 1080p Weatherproof Dome Camera Equipped with IR LED

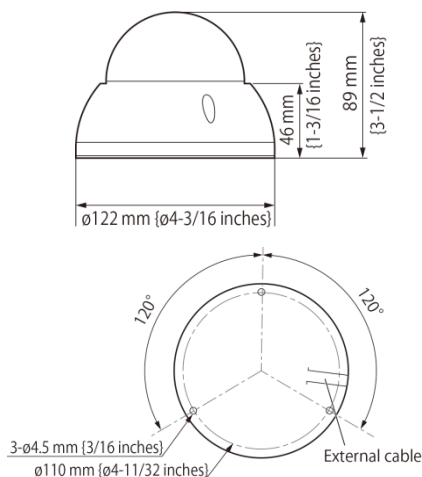
#### Specifications



#### Key Features

- 1/2.8" 2Megapixel progressive scan CMOS
- H.265&H.264 dual-stream encoding
- 30fps@1080P(1920x1080)& 30fps@1.3M(1280x960)& 30fps@720P(1280x720)
- WDR, Day/Night(ICR), 3DNR,AWB,AGC,BLC
- Multiple network monitoring
- Vari Focal : 2.7 mm – 13.5 mm
- Max. IR LEDs Distance 30m
- PoE
- IP66, IK10

#### Appearance



Camera	
Image Sensor	Approx. 1/2.8 type CMOS image sensor
Min Illumination	0.2 lx / F1.4 (color)*, 0 lx / F1.4 (IR on)*1
Gain	Auto/ Manual
Back light compensation	BLC/ HLC/ WDR
Shutter speed	Auto/ Manual, 1/3 sec to 1/100000 sec
Day / Night	Auto(ICR) / Color/ Black & White
IR LED Light	Irradiation distance: 30 m
White Balance	Auto/ Natural/ Street Lamp/ Outdoor/ Manual/ Regional Custom
Digital Noise Reduction	3D DNR ON/ OFF
Privacy masking	Off/ On (4 Zone, Rectangle)
Video Motion Detection	Off/ On (4 Area)
Lens	
Zoom ratio	5x Optical (Motorized zoom/ Motorized focus)
Focal Length	2.7 mm to 13.5 mm
Angular Field of View	H: 29°(TELE) to 106° (WIDE) V: 17°(TELE) to 57°(WIDE)
Network	
Network	10BASE-T/ 100BASE-TX, RJ45 connector
Resolution	1080P (1920x1080)/ 1.3M(1280x960)/720P (1280x720)/ D1 (704x480)/VGA (640x480)/CIF (352x240)
Image compression method*2	H.264H/ H.265/ MJPEG
Frame Rate	1 to 30 fps
Protocol	HTTP, TCP, ARP, RTSP, RTP, UDP, RTCP, SMTP, FTP, DHCP, DNS, DDNS, PPPoE, IPv4/v6, QoS, UPnP, NTP
Maximum concurrent access number	20 users (Number of sessions that can connect to cameras at the same time)
Compatible micro SDXC/ SDHC memory card:*3 *4	4 ~ 64 GB
General	
Power source	12 V DC, PoE (IEEE802.3af compliant)
Power Consumption	12 V DC: 750 mA / Approx. 9 W PoE 48 V DC: 190 mA / Approx. 9 W (Class 0 device)
Ambient Operating Temperature / Humidity	-30 °C to +60 °C (-22 °F to 140 °F) 10 % to 90 % (no condensation)
Water and Dust Resistance	Main body: IP66
Vandal Resistant	Compliant with IK10 (IEC62262)
Dimensions	Φ122 mm × 89 mm (H) {ø4-13/16 inches × 3-1/2 inches (H)}
Weight (approx.)	Approx. 400 g {0.88 lbs}

\*1 [Image Adjust] Shutter: (0-)80 ms, Gain: (0-)100\*

\*2 Two streams can be transmitted individually

\*3 When repeatedly recording images on a micro SD memory card using the auto overwrite function, make sure to use a micro SD memory card with high reliability and durability.

\*4 Use the micro SD memory card that complies with UHS-1 (Ultra High Speed-1) in the case of SD

#### Important

- Safety Precaution: Carefully read the operating instruction manual before using this product.

- All pictures are simulated.
- Weights and dimensions are approximate.
- Specifications are subject to change without notice.

DISTRIBUTED BY:

**Lintas Sarana Telekomunikasi**

Jl. Salih Jikun No. 15 Perigi, Pondok Aren, Tangerang

Telp. 021 22210366 WA: 0812-8988-3330

www.linstel.co.id