

# Full HD Weatherproof Box type Network Camera

# Panasonic

## K-EW215L Series K-EW215L03E

### 2 Megapixel 1080p Weatherproof Box type Camera Equipped with IR LED

#### Specifications

| Camera                                   |  |
|--|--|
| Image Sensor                             | Approx. 1/3 type CMOS image sensor   |
| Min Illumination                         | 0.1 lx / F1.2 (color)*, 0 lx / F1.2 (IR on)**1   |
| Gain                                     | Auto/ Manual   |
| Back light compensation                  | BLC/ HLC/ WDR  |
| Shutter speed                            | Auto/ Manual, 1/3 sec to 1/100000 sec  |
| Day / Night                              | Auto(ICR) / Color/ Black & White   |
| IR LED Light                             | Irradiation distance: 30 m   |
| White Balance                            | Auto/ Natural/ Street Lamp/ Outdoor/ Manual/ Regional Custom                                     |
| Digital Noise Reduction                  | 3D DNR ON/ OFF   |
| Privacy masking                          | Off/ On (4 Zone, Rectangle)  |
| Video Motion Detection                   | Off/ On (4 Zone)   |
| Lens                                     |  |
| Focal Length                             | 3.6 mm   |
| Angular Field of View                    | H: 92° V: 50°  |
| Network                                  |  |
| Network                                  | 10BASE-T/ 100BASE-TX, RJ45 connector   |
| Resolution                               | 1080P (1920x1080)/ 1.3M(1280x960)/720P (1280x720)/ D1 (704x480)/VGA (640x480)/CIF (352x240)      |
| Image compression method                 | H.264/ H.264B/ H.264H/ H.265/ MJPEG  |
| Frame Rate                               | 1 to 30 fps  |
| Protocol                                 | HTTP, TCP, ARP, RTSP, RTP, UDP, RTCP, SMTP, FTP, DHCP, DNS, DDNS, PPPOE, IPv4/v6, QoS, UPnP, NTP |
| Maximum concurrent access number         | 20 users (Number of sessions that can connect to cameras at the same time)                       |
| General                                  |  |
| Power source                             | 12 V DC, PoE (IEEE802.3af compliant)   |
| Power Consumption                        | 12 V DC: 420 mA / Approx. 5.0 W<br>PoE 48 V DC: 110 mA / Approx. 5.0 W (Class 0 device)          |
| Ambient Operating Temperature / Humidity | -30 °C to +60 °C {-22 °F to 140 °F}<br>10 % to 90 % (no condensation)                            |
| Water and Dust Resistance                | Main body: IP66  |
| Dimensions                               | Φ70 mm × 165 mm (D)<br>{ø2-3/4 inches × 6-1/2 inches (D)}  |
| Weight (approx.)                         | Approx. 380 g {0.84 lbs}   |

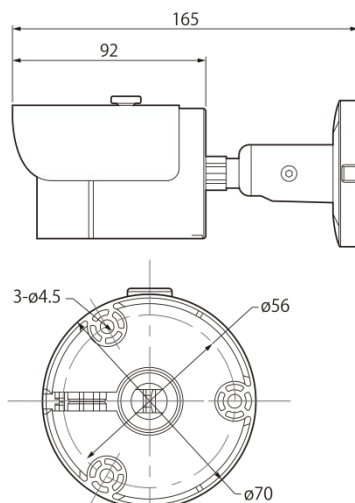
\*1 [Image Adjust] Shutter: (0-)80 ms, Gain: (0-)100"



#### Key Features

- 1/3" 2Megapixel progressive scan CMOS
- H.265&H.264 dual-stream encoding
- 30fps@1080P(1920x1080)&30fps@1.3M(1280x960)&30fps@720P(1280x720)
- WDR, Day/Night(ICR), 3DNR,AWB,AGC,BLC
- Multiple network monitoring
- 3.6mm fixed lens
- Max. IR LEDs Distance 30m
- PoE
- IP66

#### Appearance



#### Important

- Safety Precaution: Carefully read the operating instruction manual before using this product.
- Panasonic cannot be responsible for the performance of the network and/or other manufacturers' products used on the network.

- All pictures are simulated.
- Weights and dimensions are approximate.
- Specifications are subject to change without notice.

**DISTRIBUTED BY:** **Lintas Sarana Telekomunikasi**  
 Jl. Salih Jikun No. 15 Perigi, Pondok Aren, Tangerang  
 Telp. 021 22210366 WA: 0812-8988-3330  
 www.linstel.co.id